

### TECHNICAL DATA

#### General Description

A full range of 316 Stainless Steel large flow air service unit for the offshore, food, pharmaceutical and allied industries.

- 316 Stainless Steel throughout.
- Large flow paths minimise pressure drop.
- Clean lines.
- Integral mounting holes.

#### Operating Medium

Gases, air, inert gas, sweet (natural) and sour gases.

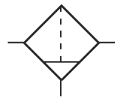
#### Ingress Protection

Heavy seas/on deck rating

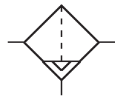
#### Functional Symbols

##### Filters

Filter with manual drain

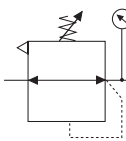


Filter with automatic drain

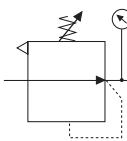


##### Regulators

Self relieving

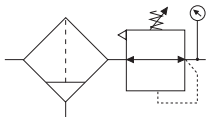


Non relieving

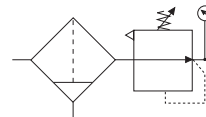


##### Filter/Regulators

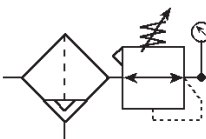
Self relieving with manual drain



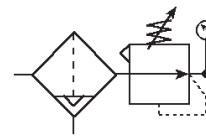
Non relieving with manual drain



Self relieving with automatic drain



Non relieving with automatic drain



#### Technical Data

Ports NPT (*BSP option available*)

- 3/4", 1"

Gauge ports (*BSP option available*)

- 1/8" NPT
- 1/4" NPT (*option available*)

Relief/Vent Port

- 1/8" NPT (Fitted with bug screen)

Working Temperature

Ambient Temperature

- -20°C to +80°C (-4°F to +176°F)

Filtration

- 5 micron

Working Pressure

Filters and Filter regulators

- Manual drain 20 bar (290 psi)
- Automatic drain 17 bar (247 psi)
- Regulators maximum inlet pressure 20 bar (290 psi)

Bowl Retention

- 260cc (15.87cu ins)

Regulated Pressure

- 0.1 to 2 bar (1.45 to 29 psi)
- 0.2 to 4 bar (2.90 to 58 psi)
- 0.3 to 7 bar (4.35 to 102 psi)
- 0.5 to 10 bar (7.25 to 145 psi)
- 0.8 to 16 bar (11.60 to 232 psi)

Maximum Relief Flow

at 2 bar (29 psi) secondary pressure

- 0.5 cc/sec (0.03cu in/sec)

Flow Capacity

##### Filter

at 7 bar (102 psi) supply pressure, 0.35 bar (5psi) pressure drop

- 10020 L/min (353 SCFM)

##### Regulator

at 7 bar (102 psi) inlet pressure, 6 bar (87 psi) secondary pressure, 1 bar (14.5 psi) pressure drop

- 7800 L/min (274 SCFM)

##### Filter Regulator

at 7 bar (102 psi) inlet pressure, 6 bar (87 psi) secondary pressure, 1 bar (14.5 psi) pressure drop

- 7800 L/min (274 SCFM)

Cv (Kv)

- 3/4" - 7.8 (117)
- 1" - 8.0 (120)

#### Construction Materials

- Body/Bonnet/Bowl and Internals Stainless Steel AISI 316 S11 to NACE MR-01-75
- Sintered Polypropylene Element
- Nitrile and 316 Stainless Steel Diaphragm
- Inconel X750 Valve Spring
- 316 Stainless Steel Adjustment spring
- Fluoroelastomer Seals and Valve Assembly

#### Flow Characteristics

Conform to ISO6953-2:2000

For filter pressure drops characteristics see graphs on page 3500.3

For pressure regulator characteristics see graphs on page 3500.4

### SELF RELIEVING • NON RELIEVING

#### General Description

A 316 Stainless Steel combination unit for filtration and pressure regulation of compressed air for the offshore, petrochemical, pharmaceutical and allied industries.

- Large flow paths minimise pressure drop.
- 5 micron element.
- 5 pressure ranges.

Operating Medium, Ingress Protection Functional Symbols, Technical Data and Construction Materials. See details on page 3500.1

#### Flow Characteristics

- For filter pressure drop characteristics see graphs on page 3500.3
- For pressure regulator characteristics see graphs on page 3500.4



#### Preferred Models

Model Number	Description	Weight kg (lbs)
<b>Self Relieving</b>		
6FRMSV**2	3/4" NPT Filter with manual drain	5.75 (12.7)
6FRASV**2	3/4" NPT Filter with automatic drain	5.75 (12.7)
8FRMSV**2	1" NPT Filter with manual drain	5.75 (12.7)
8FRMSV**2	1" NPT Filter with automatic drain	5.75 (12.7)

#### Non Relieving

Specify model code "FRN" in place of "FRM" for manual drain versions.

Specify model code "FRB" in place of "FRA" for automatic drain versions.

\*\* For regulated pressure add code:

0.1 to 2 bar (1.45 to 29 psi) -code 02

0.2 to 4 bar (2.90 to 58 psi) -code 04

0.3 to 7 bar (4.35 to 102 psi) -code 07

0.5 to 10 bar (7.25 to 145 psi) -code 10

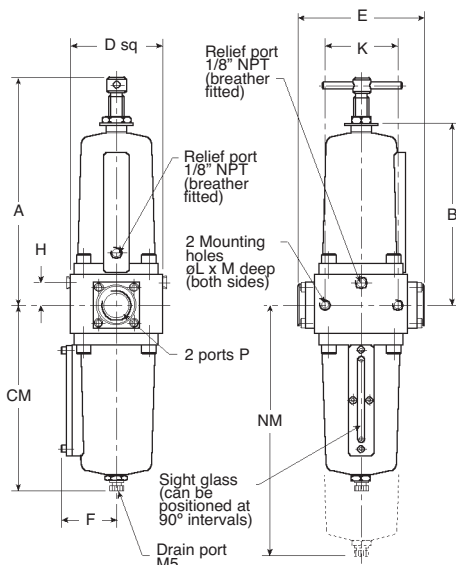
0.8 to 16 bar (11.60 to 232 psi) -code 16

- For BSP replace '2' in position 9 with '1'  
- For 1/4" gauge port add 'X' to end of model number

### INSTALLATION DIMENSIONS mm (inches)

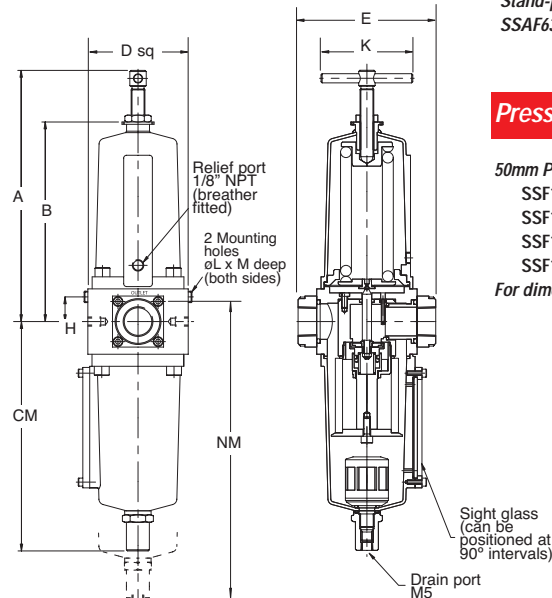
#### Filter Regulators with Manual Drain

6FRMSV\*\*2, 8FRMSV\*\*2, 6FRNSV\*\*2, 8FRNSV\*\*2



#### Filter Regulators with Automatic Drain

6FRASV\*\*2, 8FRASV\*\*2, 6FRBSV\*\*2, 8FRBSV\*\*2



#### Mounting Brackets

Stand-pipe Mounting Kit  
SSAF638-28

#### Pressure Gauge

50mm Pressure gauge - glycerine filled

SSF153N/11GLY (0 - 11 bar)

SSF153N/4GLY (0 - 4 bar)

SSF153N/2GLY (0 - 2 bar)

SSF153N/16GLY (0 - 16 bar)

For dimensional details see page 3500.4

Model Number	Ports P	Ports G	A	B	CA†	CM	D	E	F	H	K	L	M	NA†	NM
6FRMSV**2A	3/4" NPT	1/8" NPT	219	174	201	180	87.5	120	52	21.5	70	M8	12	281	260
	3/4" NPT	1/8" NPT	(8.62)	(6.85)	(7.91)	(7.09)	(3.44)	(4.72)	(2.05)	(0.85)	(2.76)	M8	(0.47)	(11.06)	(10.24)
8FRMSV**2A	1" NPT	1/8" NPT	219	174	201	180	87.5	120	52	21.5	70	M8	12	281	260
	1" NPT	1/8" NPT	(8.62)	(6.85)	(7.91)	(7.09)	(3.44)	(4.72)	(2.05)	(0.85)	(2.76)	M8	(0.47)	(11.06)	(10.24)

Dimension NA or NM = clearance required below pipe centreline to enable bowl to be removed.

Dimensions for non relieving models (6FRNSV\*\*2, 8FRNSV\*\*2, 6FRBSV\*\*2 and 8FRBSV\*\*2) are same as self relieving models above.

† = Dimensions CA and NA relate to models with automatic drain (6FRNSV\*\*2, 8FRASV\*\*2, 6FRBSV\*\*2 and 8FRBSV\*\*2)

### MANUAL DRAIN • AUTOMATIC DRAIN

#### General Description

316 stainless steel compressed air filters to provide clean dry air for the offshore, petro-chemical and allied industries.

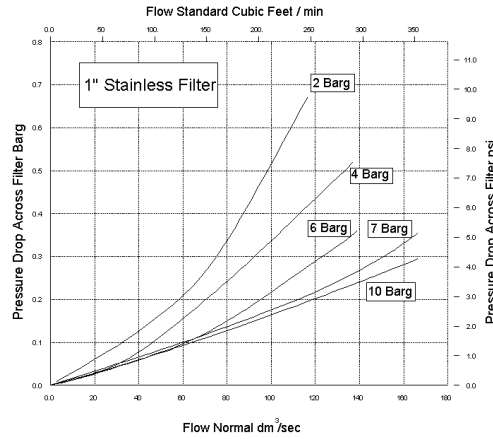
- 5 micron element.
- Manual / auto drain.
- Large flow paths minimise pressure drop.

Functional symbols,

Technical data and

Construction Materials

See details on page 3500.1



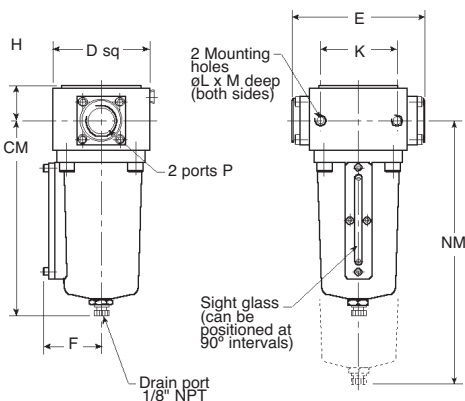
#### Preferred Models

Model Number	Description	Weight kg (lbs)
6FLMSV202	3/4" NPT Filter with manual drain	3.75 (8.27)
6FLASV172	3/4" NPT Filter with automatic drain	3.75 (8.27)
8FLMSV202	1" NPT Filter with manual drain	3.75 (8.27)
8FLASV172	1" NPT Filter with automatic drain	3.75 (8.27)

### INSTALLATION DIMENSIONS mm (inches)

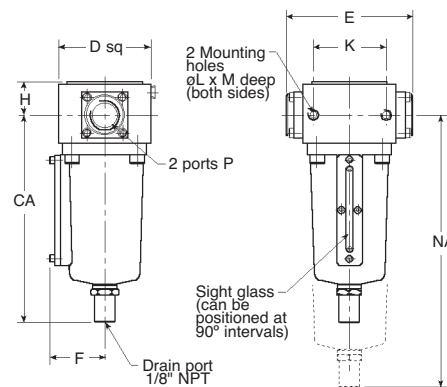
#### Filters with Manual Drain

6FLMSV202, 8FLMSV202



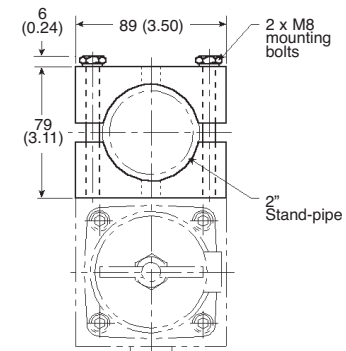
#### Filters with Automatic Drain

6FLASV172, 8FLASV172



#### Mounting Brackets

Stand-pipe mounting kit SSAF 638-28



Model Number	Ports P	Ports G	A	B	C	D	E	H	K	L	M	
<b>With manual drain</b>												
6FLMSV202	3/4" NPT	-	180	87.5	120	52	30.5	70	M8	12	-	260
	3/4" NPT	-	(7.09)	(3.44)	(4.72)	(2.05)	(1.20)	(2.76)	M8	(0.47)	-	(10.24)
8FLMSV202	1" NPT	-	180	87.5	120	52	30.5	70	M8	12	-	260
	1" NPT	-	(7.09)	(3.44)	(4.72)	(2.05)	(1.20)	(2.76)	M8	(0.47)	-	(10.24)
<b>With automatic drain</b>												
6FLASV172	3/4" NPT	201	-	87.5	120	52	30.5	70	M8	12	281	-
	3/4" NPT	(7.91)	-	(3.44)	(4.72)	(2.05)	(1.20)	(2.76)	M8	(0.47)	(11.06)	-
8FLASV172	1" NPT	201	-	87.5	120	52	30.5	70	M8	12	281	-
	1" NPT	(7.91)	-	(3.44)	(4.72)	(2.05)	(1.20)	(2.76)	M8	(0.47)	(11.06)	-

### SELF RELIEVING • NON RELIEVING

#### General Description

A 316 Stainless Steel unit for pressure regulation of compressed air in the offshore, petrochemical, and allied industries.

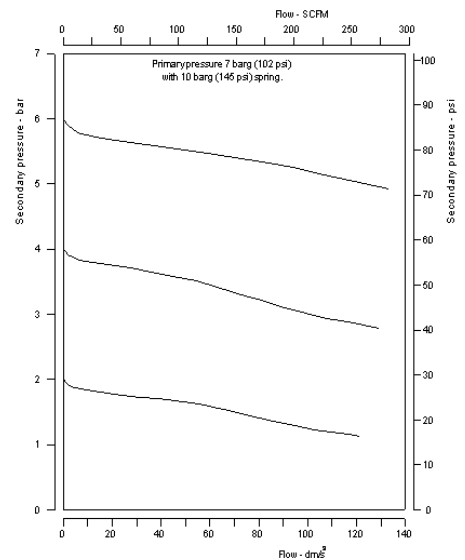
- Large flow
- 4 pressure ranges.
- High relief flow.

\*\* For regulated pressure add code:  
 0.1 to 2 bar (1.45 to 29 psi) -code 02  
 0.2 to 4 bar (2.90 to 58 psi) -code 04  
 0.3 to 7 bar (4.35 to 102 psi) -code 07  
 0.5 to 10 bar (7.25 to 145 psi) -code 10  
 0.8 to 16 bar (11.60 to 232 psi) -code 16

Operating Medium, Ingress Protection, Functional Symbols, Technical Data and Construction Materials. See details on page 3500.1



Flow Characteristics  
 Secondary pressure vs. Flow  
 Conforms to ISO6953-2:2000



### Preferred Models

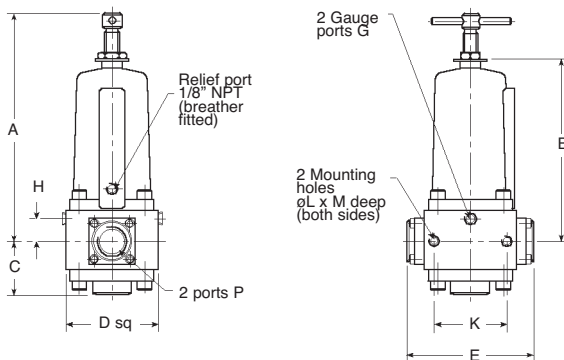
Model Number	Description	Weight kg (lbs)
<b>Self Relieving</b>		
6PRVSV**2A	3/4" NPT Pressure regulator	5.00 (11.0)
8PRVSV**2A	1" NPT Pressure regulator	5.00 (11.0)
<b>Non Relieving</b>		
6PRNSV**2A	3/4" NPT Pressure regulator	5.00 (11.0)
8PRNSV**2A	1" NPT Pressure regulator	5.00 (11.0)

for BSP replace '2' in position 9 with '1'

Models available with ANSI flanges - Contact customer service for further details.

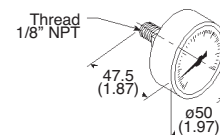
### INSTALLATION DIMENSIONS mm (inches)

#### Pressure Regulators - Self Relieving and Non Relieving



#### Pressure Gauge

- 50mm pressure gauge - glycerine filled
- SSF153N/11GLY (0-11 bar)
- SSF153N/4GLY (0-4 bar)
- SSF153N/2GLY (0-2 bar)
- SSF153N/16GLY (0-16 bar)



Other ranges of pressure gauge are available - details upon request

Model Number	Ports P	Ports G	A	B	C	D	E	H	K	L	M
6PRVSV**2	3/4" NPT	1/8" NPT	219	174	53	87.5	120	21.5	70	M8	12
	3/4" NPT	1/8" NPT	(8.62)	(6.85)	(2.09)	(3.44)	(3.44)	(0.85)	(2.76)	M8	(0.47)
8PRVSV**2	1" NPT	1/8" NPT	219	174	53	87.5	120	21.5	70	M8	12
	1" NPT	1/8" NPT	(8.62)	(6.85)	(2.09)	(3.44)	(3.44)	(0.85)	(2.76)	M8	(0.47)

Dimensions for non relieving models (6FRNSV\*\*2, 8FRNSV\*\*) are same as self relieving models above.

### General Description

316 stainless steel for the offshore, food, pharmaceutical and allied industries.

Provides lubrication of compressed air for use in these industries.

- Accurate drip rate adjustment.
- Can be filled under pressure.
- Transparent sight feed dome gives clear visibility of oil supply.
- Built in flow sensor automatically adjusts lubrication delivery to meet wide air flow demand.

### Functional Symbols



### Technical data

Ports NPT (*BSP option available*)

- 1/2"

### Working temperature

*Ambient temperature*

- -20°C to +80°C (-4°F to +176°F)

### Working pressure

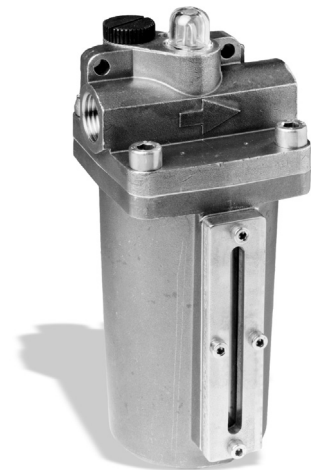
- 17 bar (247 psi)

### Capacity

- 380cc (23.2cu in)

### Construction Materials

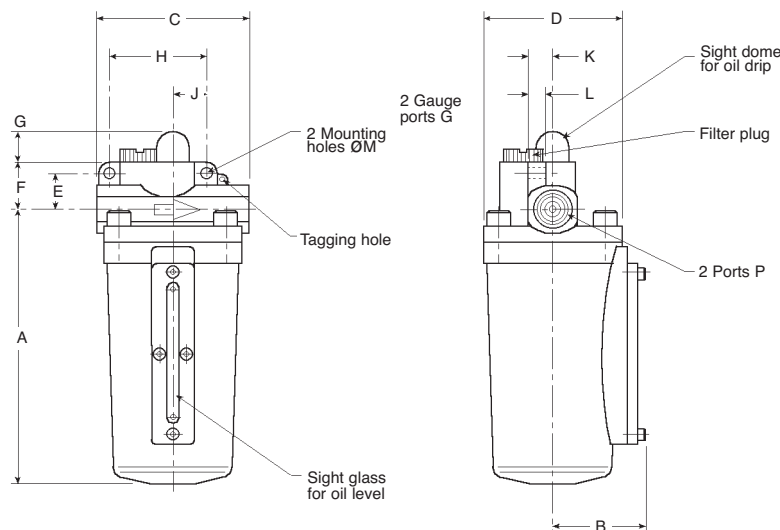
- Body Stainless steel AISI 316
- S11to NACE MR-0175
- Bowl 316 Stainless steel
- Flow and sight glass Acryl
- Seals Nitrile and Fluoroelastomer



Preferred Models		
Model Number	Description	Weight kg (lbs)
<b>Self Relieving</b>		
4LUBSN172	1/2" NPT Lubricator	1.80 (3.97)

## INSTALLATION DIMENSIONS mm (inches)

4LUBSN172



Model Number	Ports	P	A	B	C	D	E	F	G	H	J	K	M
4LUBSN172	1/2" NPT	156	52	85	80	20	26	17.5	55	19	14	10	6.5
	1/2" NPT	(6.14)	(2.05)	(3.35)	(3.15)	(0.79)	(1.02)	(6.89)	(2.17)	(0.75)	(0.55)	(0.39)	(0.26)